

What is a PWM Drive?

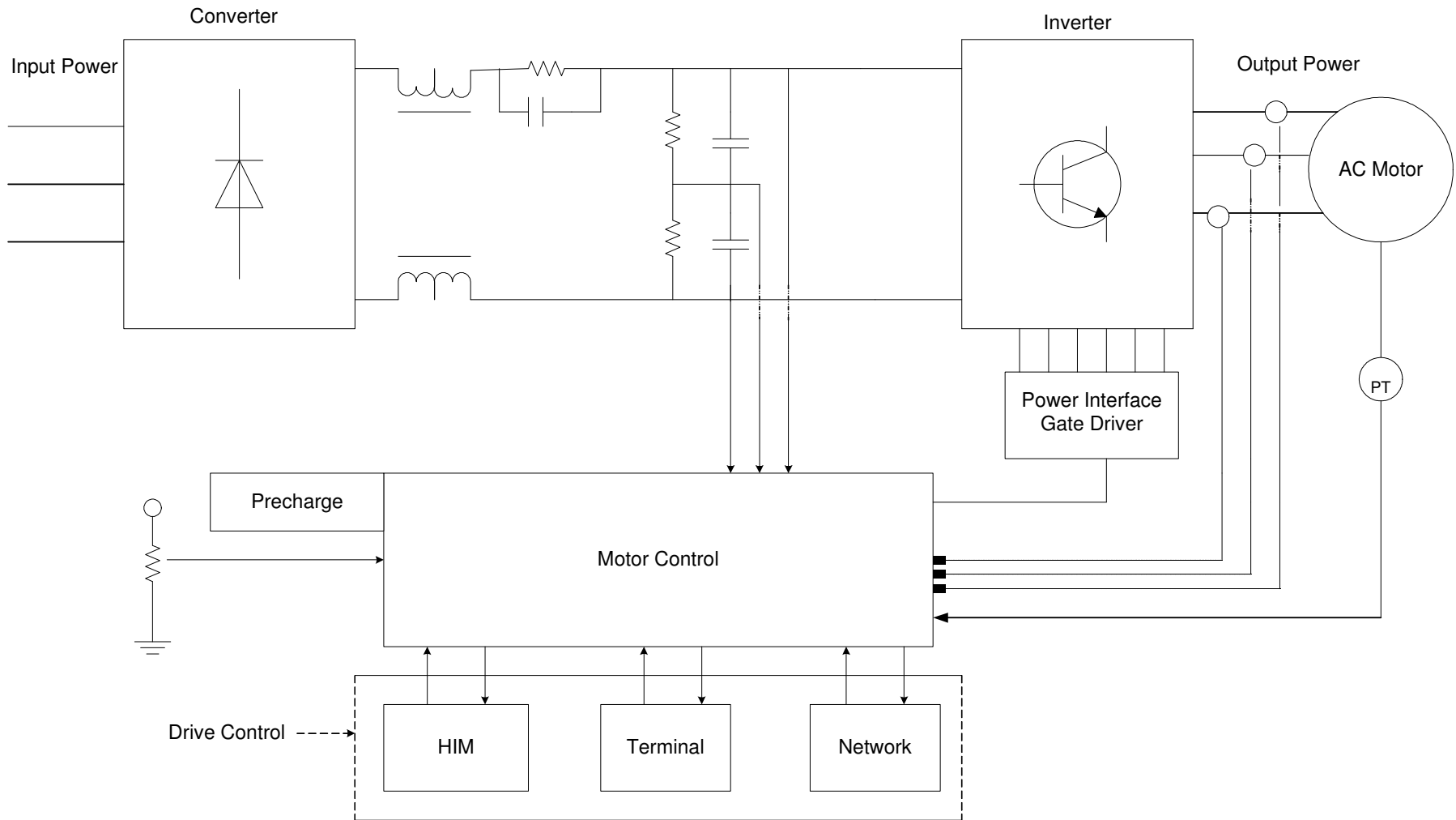
A Pulse Width Modulated Drive is used to control a AC motor connected to a load that will produce a product.

6 Functional Block Diagram Approach

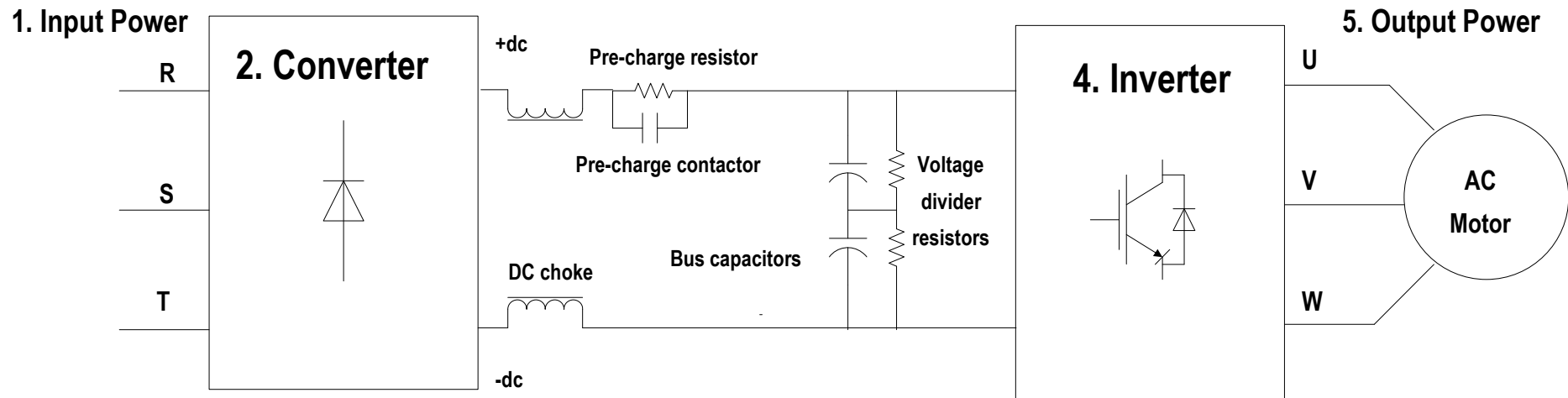
- The basic operation of a Pulse Width Modulated Drive can easily be explained using 6 functional blocks. In this lesson we will discuss the 6 functional blocks and how they work together to control the AC motor.

The 6 Functional Blocks are

1. Input Power
2. Converter
3. Drive Control
4. Inverter
5. Output Power
6. Motor Control



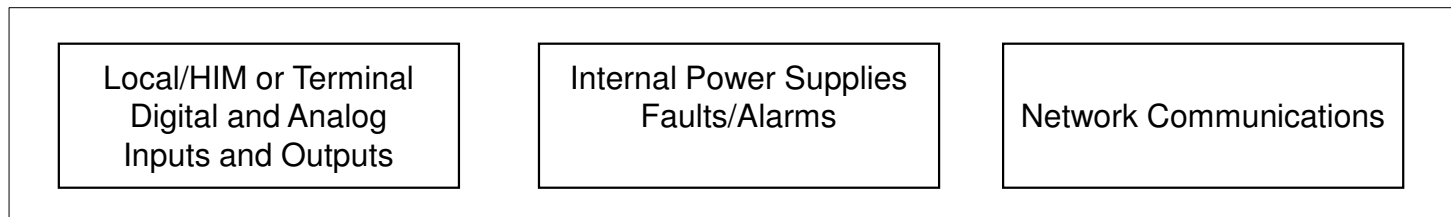
6 Block Diagram



6. Motor Control



3. Drive Control



Block 1 - Input Power

1. Input Power

R

S

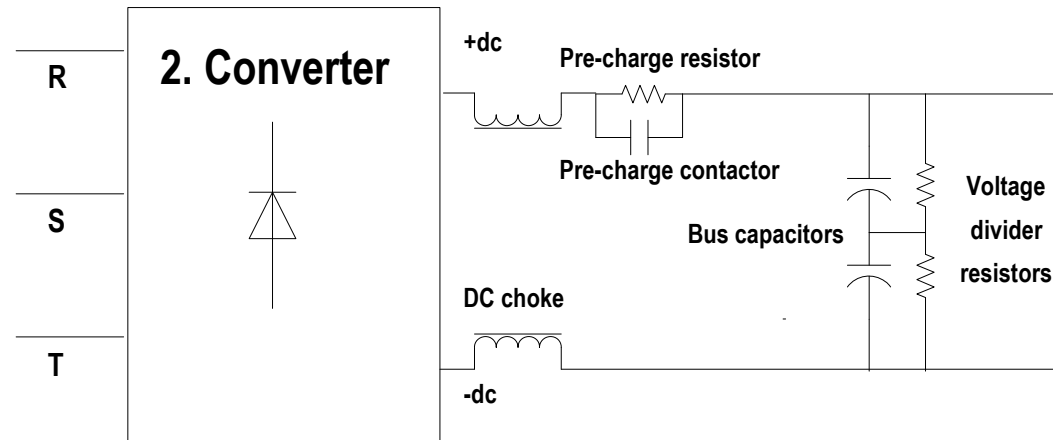
T

Block 1 - Input Power

- Single phase power can be used on some small horsepower drives
- 3 Phase AC Input voltage, 240, 480 or 575VAC
- Input Fuses – Provide current protection
- Input Transformer - are used in front of drives to provide isolation or they can provide step up or step down of voltages
- Input Reactors - are used to reduce harmonics.
- Grounded and ungrounded systems are used.
- MOVs – Metal Oxide Varistors provide voltage surge protection as well as phase to phase and phase to ground protection.
- Common mode capacitors - Can capture high frequency common mode noise and ground fault currents.

Block 2 - Converter

1. Input Power

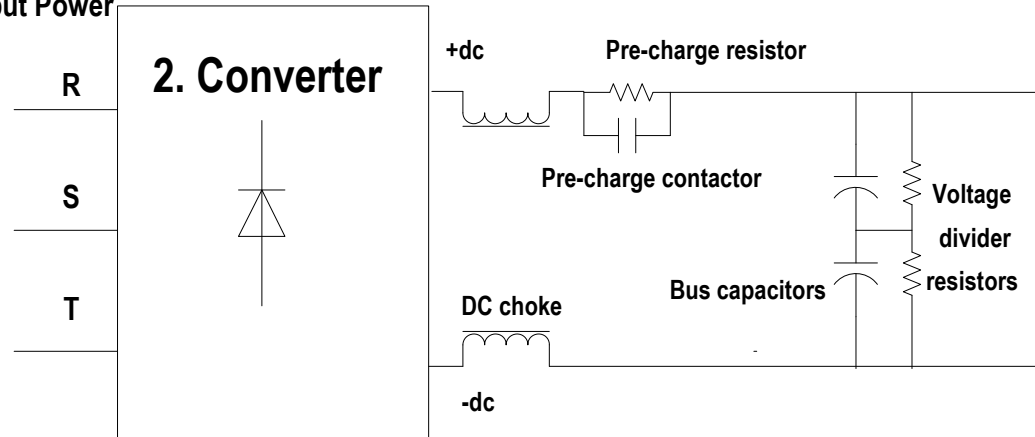


Block 2 - Converter

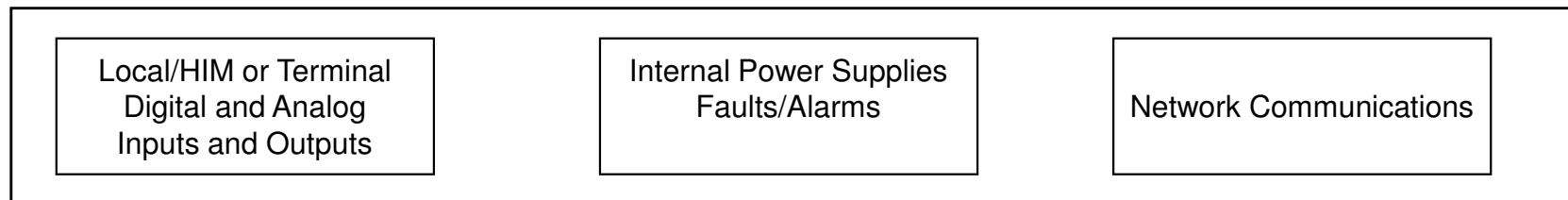
- Rectifies AC to DC voltage using scr's/diodes
- Pre-charge resistor – Limits in rush current on power up
- The DC Bus supplies voltage for low voltage supplies that will provide isolated low voltage power (+/-15vdc, +5) to the other blocks.
- Pre-charge contactor – will close when the DC bus reaches the correct value as determined by the drive control block..
- Voltage divider resistors – Keeps the voltage equal across the bus capacitors and provides a discharge path on power down.
- DC Bus capacitors store the energy that will be used by the motor
- The DC chokes on the DC Bus help to reduce noise and harmonics that are generated by the drive.
- The DC chokes also help reduce nuisance over voltage faults.
- The bus capacitors will supply the energy for the motor.

Block 3 - Drive Control

1. Input Power



3. Drive Control



Block 3 - Drive Control

- Monitors the DC bus to determine when to close the pre-charge contactor.
- Controls Stop/Start/Jog Direction
- Selects the reference source
- Parameter programming and configuration
- Displays fault/alarm or status information
- Used to clear faults and alarms
- Used to reset drive to default parameters

Drive Control - Digital Inputs and Outputs

- Terminal Inputs
 - Stop/Start/Jog
 - Fwd/Rev motor rotation
 - Reference and reference selection
 - Drive enable (run permissive) coast stop
 - 115vac or 24 volt DC inputs
- Terminal Outputs
 - Indicators for Stop/Start/Faults/Alarms
 - Control output contactors
 - Control output relays

Drive Control - Analog Inputs and Outputs

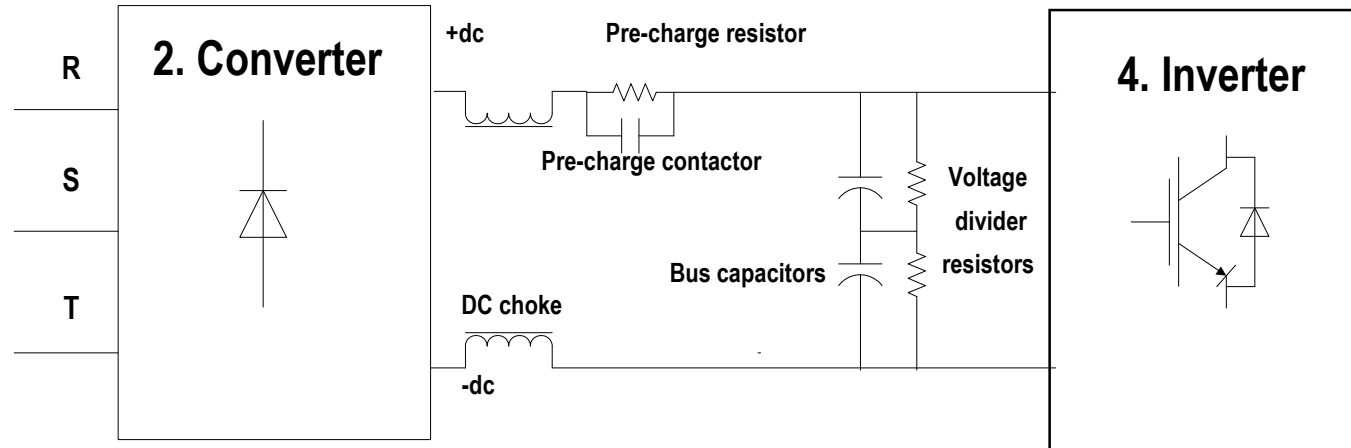
- Analog Inputs
 - Reference source
 - Trim reference or fine tuning of reference source
 - Current 4 – 20 ma
 - Voltage 0-10 or -10 to + 10 volts
- Analog Outputs
 - Indicators for speed, volts, amps, etc.
 - Indicate a specified condition is met
 - Display output frequency, RPM, current or voltage
 - Display drive parameter information
 - 0-10 volt or -10 to + 10 volts
 - 4 – 20 ma

Drive Control - Network Communications

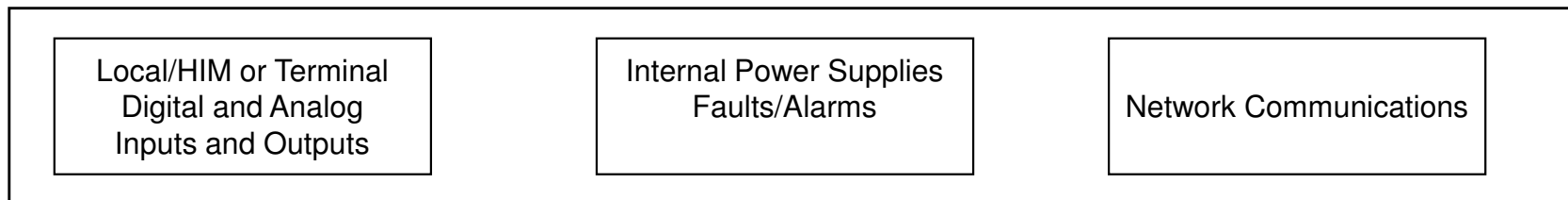
- Allows a drive to be controlled and monitored by a processor on a communication network.
- A processor can read and write drive information
 - Command and Status words
 - References
 - Feedbacks
 - Faults and Alarms
 - Datalinks – can be used to transmit and receive scheduled data between the drive and the processor.
 - Messaging can be used to send and receive additional data.

Block 4 - Inverter

1. Input Power



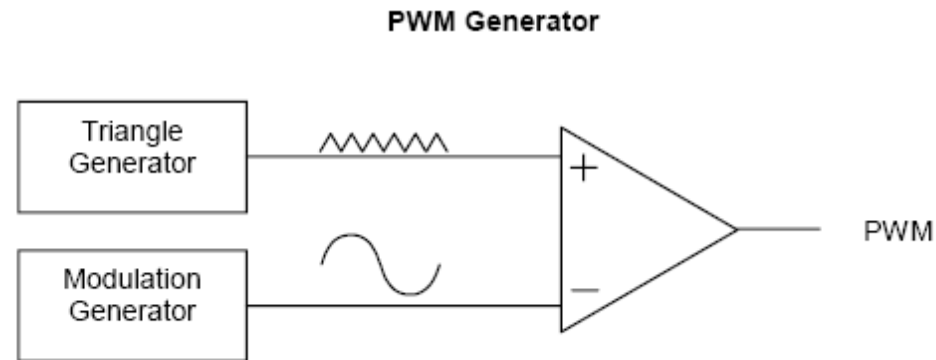
3. Drive Control



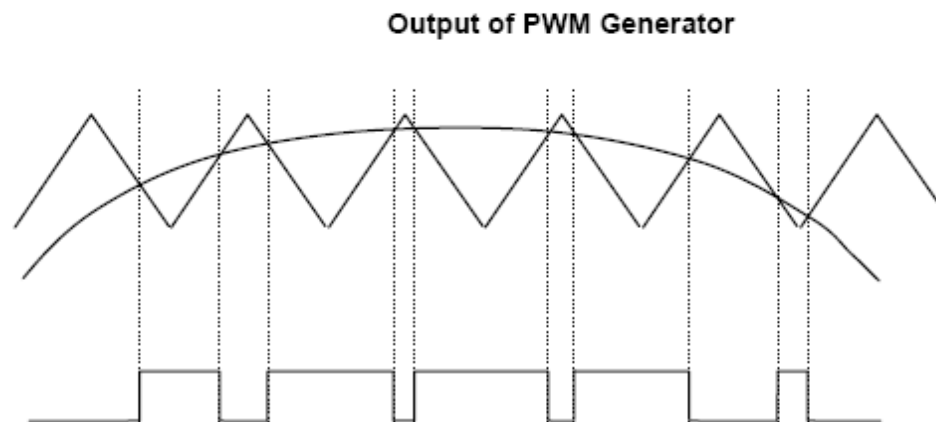
Block 4 - Inverter

- Converts DC to AC PWM – Pulse Width Modulation
- Outputs voltage and frequency to the connected motor.
- IGBT's – Insulated Gate Bipolar Transistors (switches) are turned off and on at different times to control the output voltage and frequency.
- Monitors motor voltage, frequency and current feedback from the motor.

Inverter - PWM

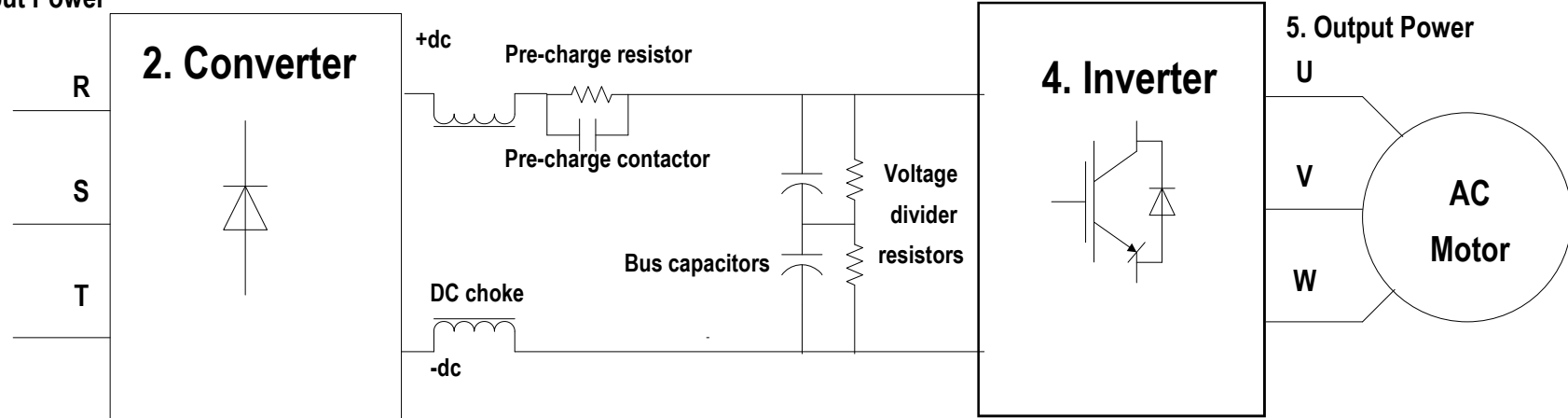


The triangular signal is the carrier or switching frequency of the inverter. The modulation generator produces a sinewave signal that determines the width of the pulses, and therefore the RMS voltage output of the inverter.

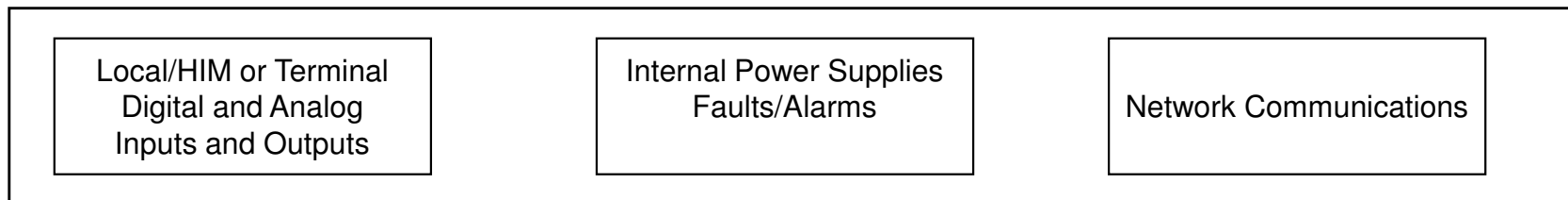


Block 5 - Output Power

1. Input Power

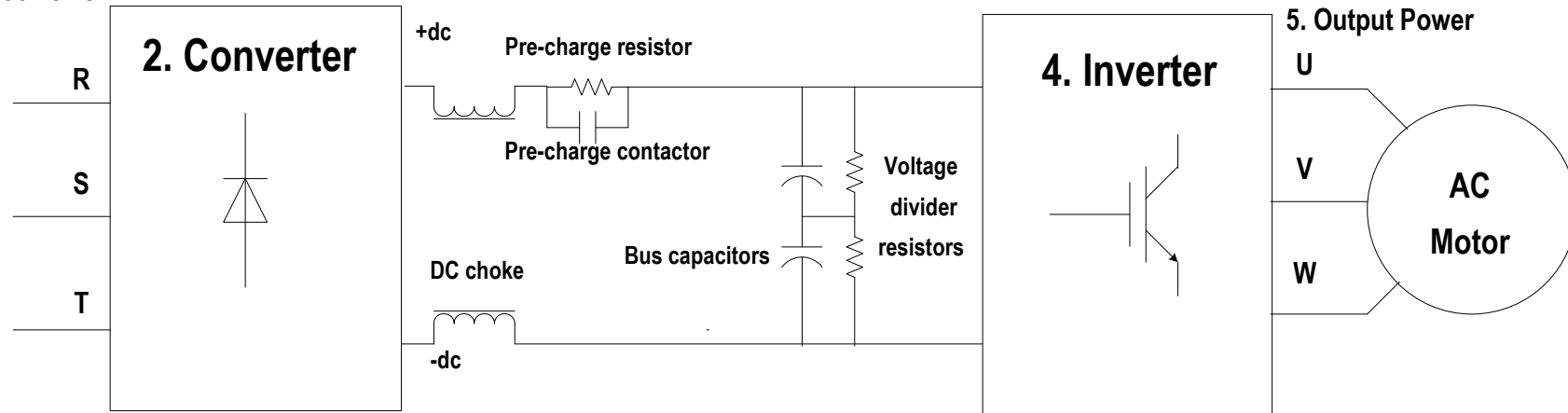


3. Drive Control

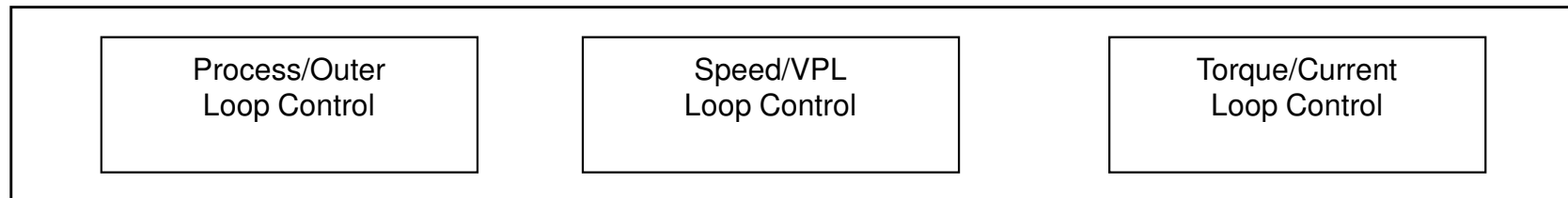


Block 6 - Motor Control

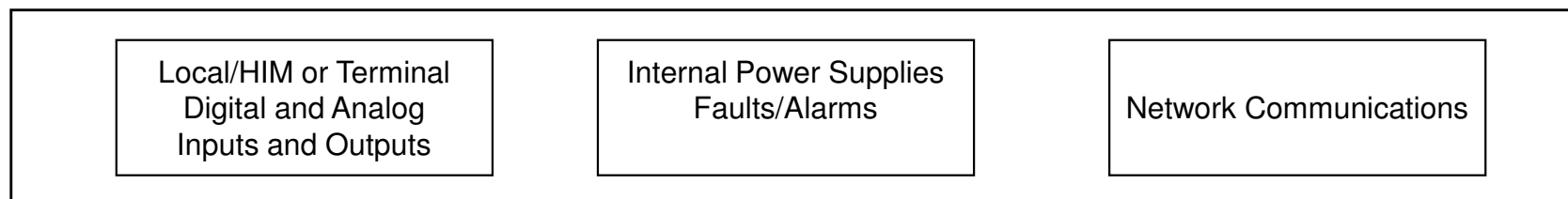
1. Input Power



6. Motor Control



3. Drive Control



Motor Control

- How well we can regulate the motor is also a function of how the regulator is configured.
- Open Loop Control – no speed or position feedback device
- Closed Loop Control – Requires speed or position feedback

Block 6 - Motor Control

- How well the drive will control the performance of the motor is determined by motor control block. There are 4 motor control types.
- 1. Volts/Hertz control is a basic control method providing a variable frequency drive for applications like fan and pump
- 2. Sensorless Vector control provides better speed regulation and the ability to produce a high starting torque.
- 3. Flux Vector control provides more precise speed and torque control with dynamic response
- 4. Field Oriented Control drives provide the best speed and torque regulation available for AC motors.

Motor Control - Velocity or Speed Control

- VPL – Velocity processor loop or speed loop.
- Closed loop speed regulation is used to control the speed of the of the motor.
- The commanded speed will be maintained even if the load changes
- Closed loop regulation requires reference and feedback
- The speed of the motor is monitored with a speed feedback device. (encoder, resolver, etc).

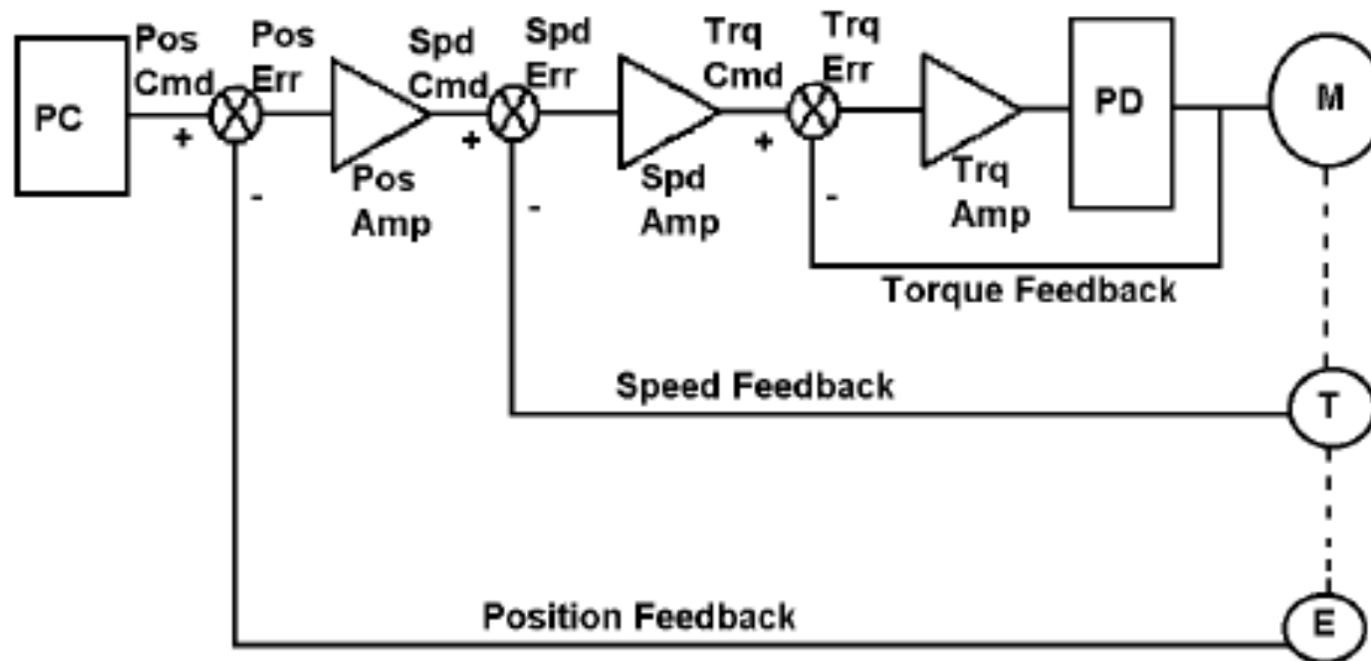
Motor Control - Motor or Torque Loop Control

- The torque loop is used to regulate the current, (torque) the drive outputs to the motor.
- A torque regulator will maintain or regulate the amount of torque to the motor even if the speed changes.
- Torque reference and current feedback are required for closed loop operation.
- Can limit the amount of positive and negative current or torque the drive will output under normal conditions.
- Torque is proportional to load in most cases
- The motor demands the torque based on load

Motor Control - Process or Outer Control Loop

- An additional trim reference can be used to fine tune the drives position, speed or torque loops.
- The user can monitor the process adjust the motors performance as needed.

Closed Loop Control



Drive sequence of events

- 1. Apply AC power
- 2. The DC bus will begin to charge up through the precharge resistor.
- 3. The DC bus creates power for the control boards.
- 4. The processors monitor the faults, alarms and bus voltages.
- 5. The pre-charge contactor will close when DC Bus reaches correct value.
- 6. Drive should be in a ready to run condition
- 7. Press start and the inverter will be able to produce voltage and frequency at the motor output terminals.
- 8. If a reference is present the motor will rotate.
- 9. The amount of frequency and voltage to the motor will depend on the motor control mode and determine the motor speed.